



## MINI/HEAVY DUTY SERIES

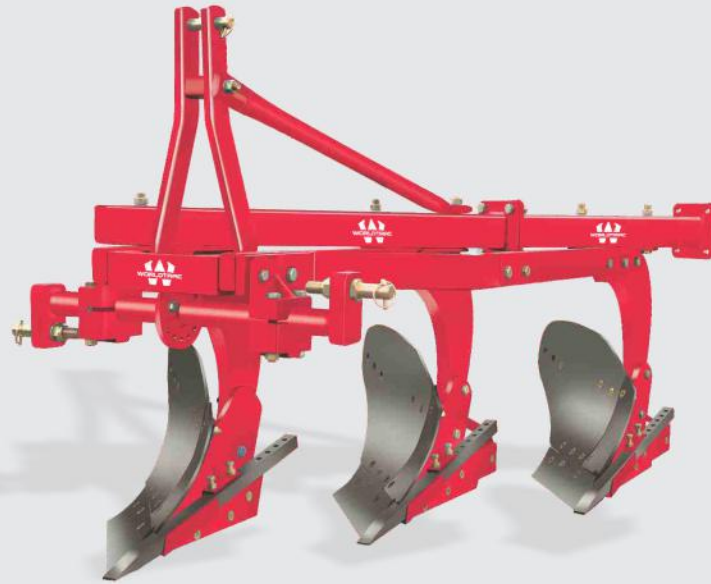
### DESCRIPTION

#### MINI SERIES:

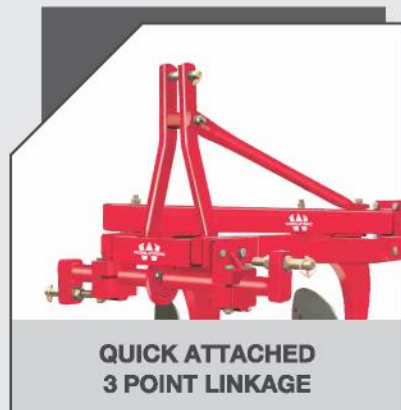
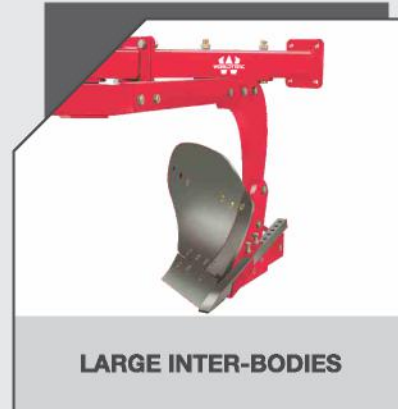
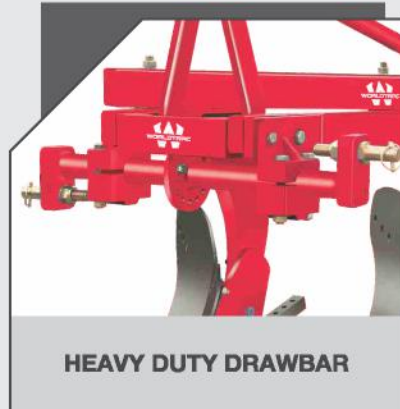
Worldtrac Mini MB Plough are equipped with special wear-resistant steel blade with bar points for toughest ploughing jobs. It is designed to work in all types of soil, for soil breaking, soil raising and soil turning.

#### HEAVY DUTY SERIES:

Heavy Duty MB Plough comes with a stronger mainframe that can support heavier loads. Generally used for deep tillage of land, to help turn over the upper layer of the soil, bringing fresh nutrients to the surface, while buying weeds and remains of previous crops. It also aerates the soil, allows it to hold moisture better and is tough to withstand heavy loads.



### FEATURES



## TECHNICAL SPECIFICATIONS

	Mini/Heavy duty Series			
	WT-MP-02M	WT-MP-2	WT-MP-3	WT-MP-4
Model Name	WT-MP-02M	WT-MP-2	WT-MP-3	WT-MP-4
Furrow	2	2	3	4
Frame (mm)	72X72 (Sq. Bar)	100 X 100 ( Sq. Frame )		
Draw Bar Rod (mm)	45 (Solid Rod)	50 (Solid Rod)		
Tines	28mm Profile Cutting	36mm Profile Cutting		
Length (mm)	1010	1035	1700	2310
Height (mm)	810	1200		
Blade (mm)	8	10		
Mould Board	6	8		
Bar Point	32	34		
Width Of Cut (mm)	400	600	900	1200
Weight (Kg. Approx.)	120	240	350	450
Tractor Power (HP)	20-26	45+	50+	60+

\*Data and specifications are subject to change without any advance notice due to continuous product improvement and development.

### BENEFITS AND ADVANTAGES

#### MINI SERIES

- MB Plough has tear & wear resistant plough share which leads to longer life.
- Heavy duty drawbar leads to efficient working and is adequate to cope with trashy conditions.
- Large inter-bodies and reversion clearance to avoid clogging

#### HEAVY DUTY SERIES

- Easy and quick attachment to all tractors with three-point linkage.
- Outstanding soil penetration which offers you more depth (12-14") (305-355 mm).
- Useful in hard and dry trashy land conditions