



# DOUBLE SPRING LOADED SERIES

## DESCRIPTION

Worldtrac Dual spring loaded Cultivator is designed for toughest tillage operations.

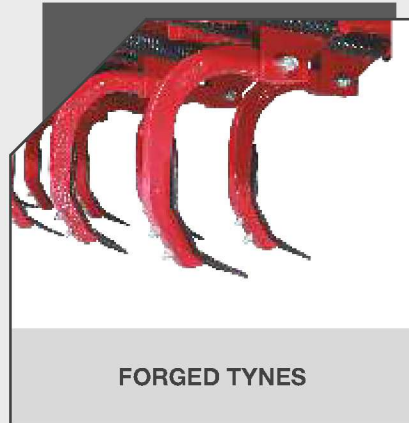
It loosens and aerates the soil to a depth of upto nine inches. Spring loaded Cultivator is designed for all types of root crop and for general cultivation work. It helps in preparing the seed bed quickly and economically.



## FEATURES



HEAVY DUTY ANGLE



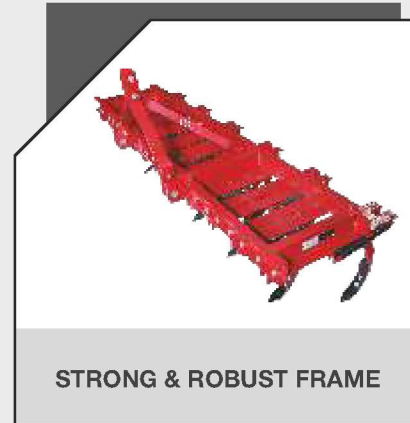
FORGED TYNES



REVERSIBLE SHOVEL



SHOCK ABSORBING SPRING



STRONG & ROBUST FRAME

# TECHNICAL SPECIFICATIONS

		Double Spring Loaded Series							
i	Model	WT-CL -MS5	WT-CL -MS7	WT-CL -MH9	WT-CL -MH11	WT-CL -MH13	WT-CL -MH15	WT-CL -HF15	WT-CL -HF17
🌀	Spring (mm)	9.5 WD / 44 OD/27 Coil			10 WD / 50 OD / 28.5 Coil				
🔪	Tyne (mm)	22x19 (Forged)			50x25 (Forged)				
🔪	Shovels (mm)	8(EN-45)							
📏	Width (mm)	1205	1640	2039	2492	2945	3520	3520	3970
📏	Length (mm)	834		878			915		
📏	Height (mm)	930			1157			1170	
⚖️	Weight (Kg. Approx.)	140	170	290	370	440	520	540	650
🚜	Tractor Power (HP)	20-24	26-30	45+	55+	65+	75+	75+	90+

\*Data and specifications are subject to change without any advance notice due to continuous product improvement and development.

## BENEFITS AND ADVANTAGES

- ⦿ Spring Loaded Tine Assemblies derive their strength from heavy duty angles, which once fixed to the immensely strong main frame cannot move out of position.
- ⦿ Forged tynes are equipped with high tensile strength and is of superior quality
- ⦿ High quality reversible steel shovels.
- ⦿ Shock absorbing spring helps as one tine strikes a buried object, the others continue to work at the correct depth
- ⦿ Strong and robust frame designed for breaking up hard land and mixing crop residue.